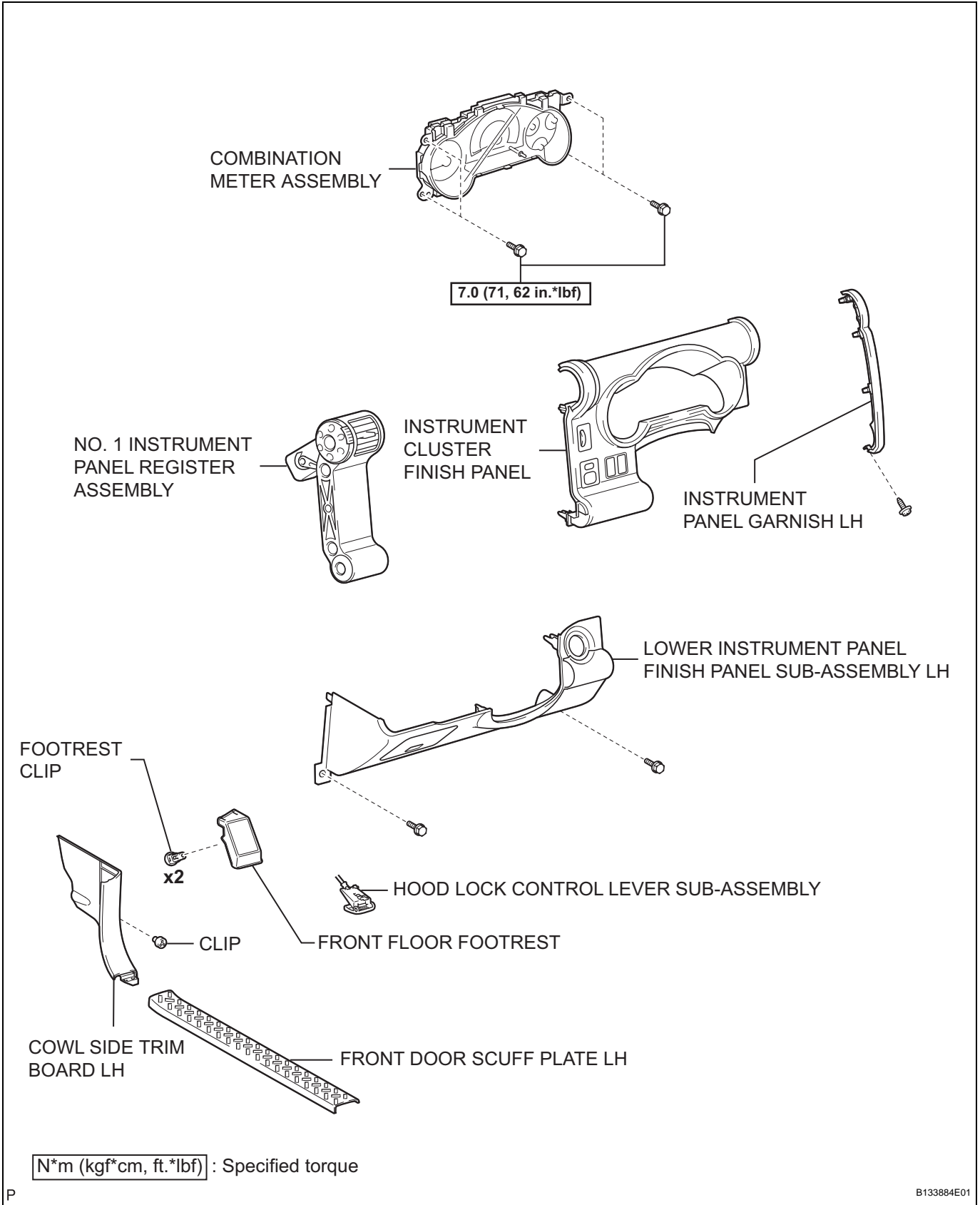
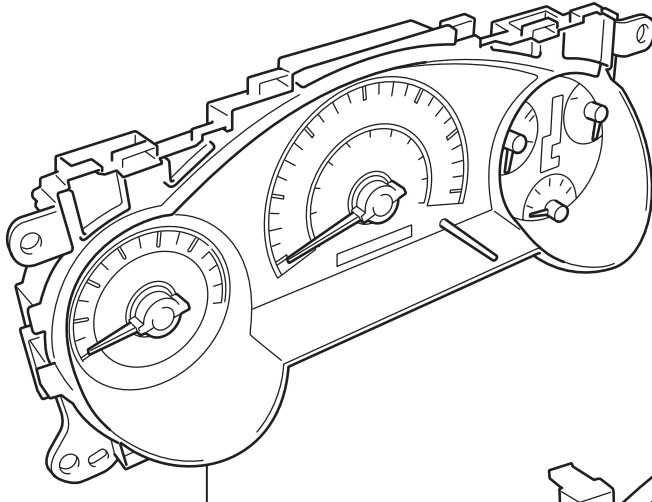


# COMBINATION METER

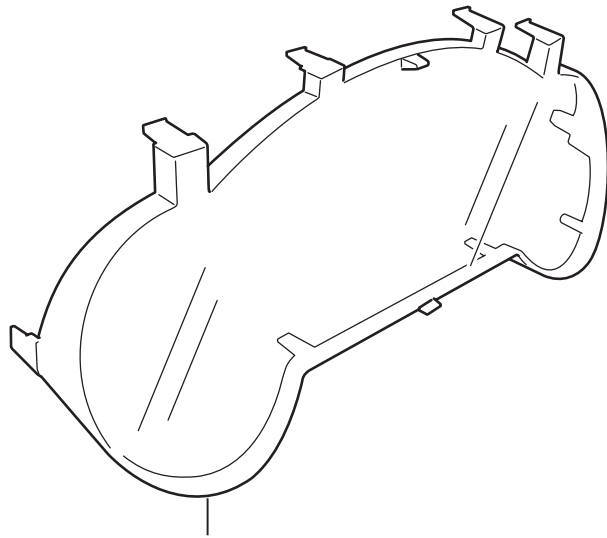
## COMPONENTS



ME



COMBINATION METER



COMBINATION METER GLASS

ME